

# LEL023 Order Form

Date \_\_\_\_\_  
 AVFI Sales REP \_\_\_\_\_  
 Customer Signature \_\_\_\_\_

Quote No. \_\_\_\_\_  
 Customer No. \_\_\_\_\_  
 AVFI No. \_\_\_\_\_

Office Use Only

To generate your order form, please refer to the information provided below to insert the alphabetic and/or numeric code in the respective category boxes. Please note that without this filled out Order Form, your purchase **cannot** be processed.

1	2	3	4
Product Model	Finish	Chargeable Accessories	Custom Cutouts
<b>LEL023</b>			

## 1 Product Model



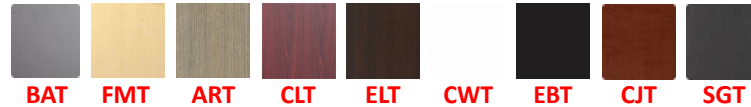
Code **LEL023**

## 3 Choose Product Finish

**Standard Finishes** (Ships within 1-14 days)



**Optional Finishes** (Ships within 28 days)



## 2 Chargeable Accessories (Check all that apply)

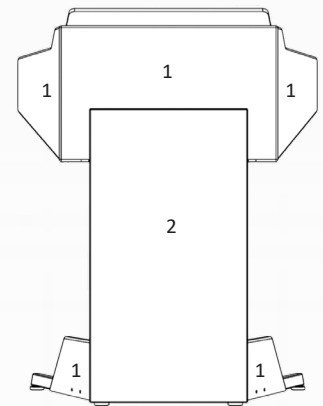
- Code **0** No Accessories
- Code **M10 FWM100** VESA Mount VESA 50, 75, 100.....Qty \_\_\_\_\_
- \* Code **K3 PLM1022** LCD Monitor Mount.....Qty \_\_\_\_\_
- \* Code **D1 MIC-18** MX418C Microphone.....Qty \_\_\_\_\_
- \* Code **D2 LIGHT-18** Littlite Gooseneck.....Qty \_\_\_\_\_
- \* Code **D3 FM3** Countdown Timer/ Clock.....Qty \_\_\_\_\_
- Code **E1 PB 6** Outlet Power Bar.....Qty \_\_\_\_\_
- \* Code **E3 CUB3** Round Cable Well.....Qty \_\_\_\_\_
- \* Code **EB CUB4** Black Dual AC + USB Power Panel.....Qty \_\_\_\_\_
- \* Code **E7 PC-PATCH** Power-Data Module.....Qty \_\_\_\_\_
- \* Code **EJ CUB22** Black 3 Module Panel.....Qty \_\_\_\_\_
- \* Code **EK CUBM3** 3 Module Power & Data Panel.....Qty \_\_\_\_\_
- \* Code **EL CUBM4** 4 Module Power & Data Panel.....Qty \_\_\_\_\_
- Code **P10 50CAS** Easy Maneuvering Casters.....Qty \_\_\_\_\_
- \* Code **K1 C900S** Single Adjustable Monitor Arm.....Qty \_\_\_\_\_
- \* Code **K2 C900D** Dual Adjustable Monitor Arm.....Qty \_\_\_\_\_
- \* Code **K8 WM2342** 400x400 VESA TV Display Mount.....Qty \_\_\_\_\_
- \* Cutout Required (Extra Charges will apply)

## 4 Choose Combination Finish (Optional)

If you require a different colour combination from what's seen in the 'Product Model' section; please select two product finish options for areas labeled 1 and 2.

Place product finish **code** on the line below.

1 \_\_\_\_\_  
 2 \_\_\_\_\_



## Comments (Please use this section to provide additional information)

## Notes

**CAD Drawings/Symbols**  
 CAD drawings are available by request at sales@vegroup.net

**Custom Cutouts**  
 Estimated lead time is 2-4 weeks from receipt of P.O. and signed drawings.

**Customizations**  
 Modifications to design such as shape and/or size variations have to be quoted on a per case basis and are applicable for quantities of 10+ only.

# LEL023 Order Form

Date \_\_\_\_\_  
 AVFI Sales REP \_\_\_\_\_  
 Customer Signature \_\_\_\_\_

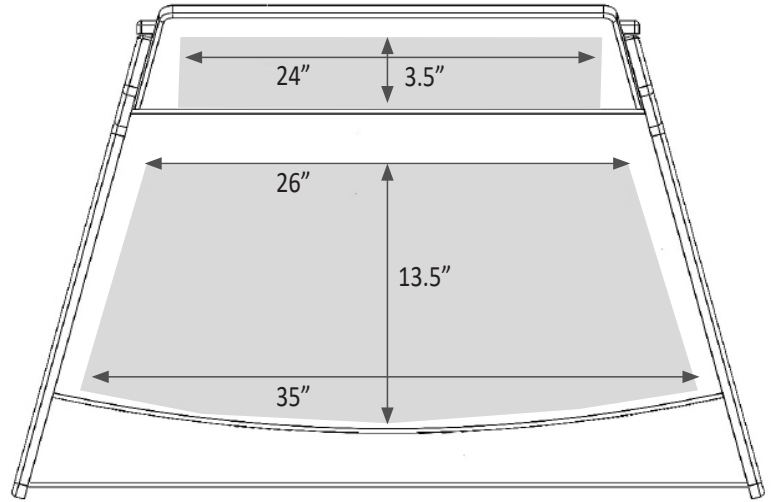
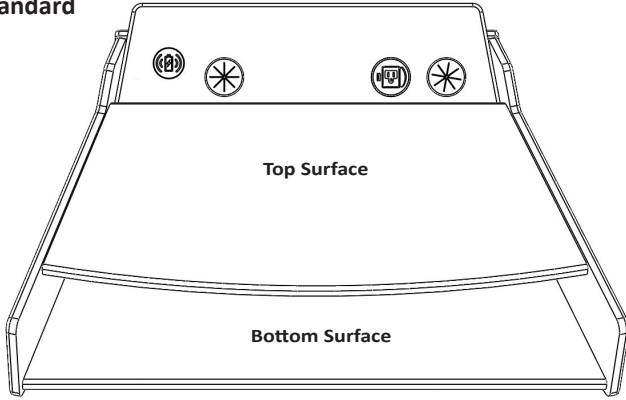
Quote No. \_\_\_\_\_  
 Customer No. \_\_\_\_\_  
 AVFI No. \_\_\_\_\_

Office Use Only

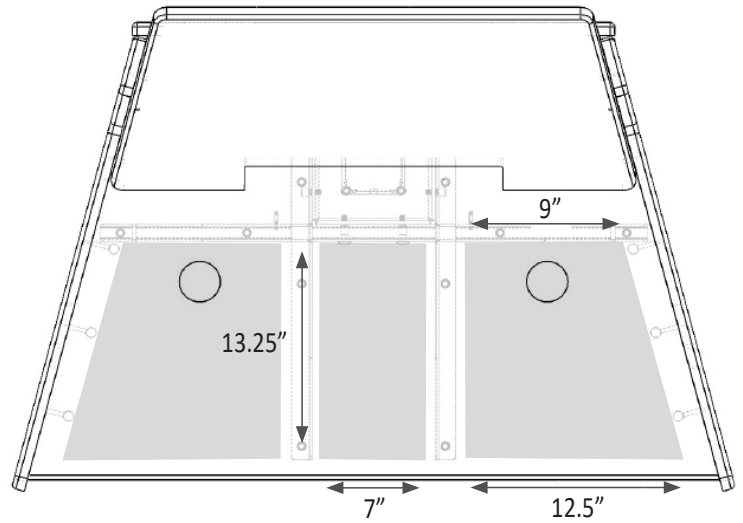
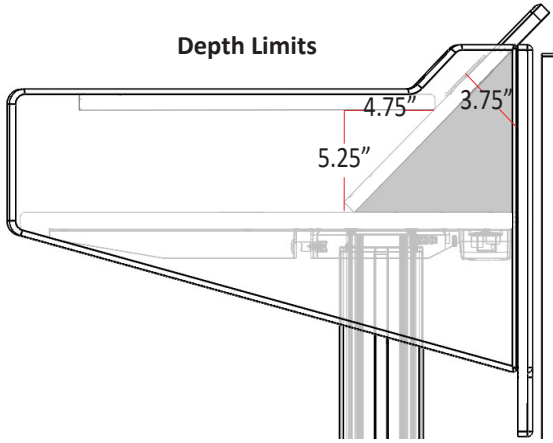
## 4 Custom Cutout Option (Extra charges will apply)

Please indicate custom cutout location on the drawing(s) below

### Standard



Top Surface



Bottom Surface

Code **CO** No Custom Cutout

Code **CC** Custom Cutout (Specify on Cutout Area Above)

■ Cutout Area - Work Surface L x W